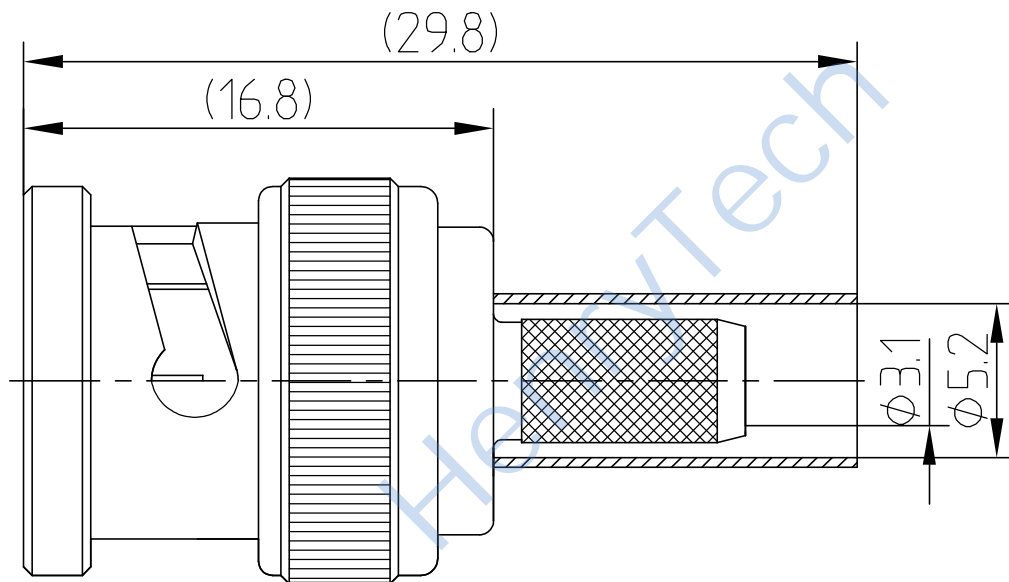


This document contains proprietary information and such information may not be disclosed to others for any purposes, not used for sales/marketing/procurement purposes without written permission

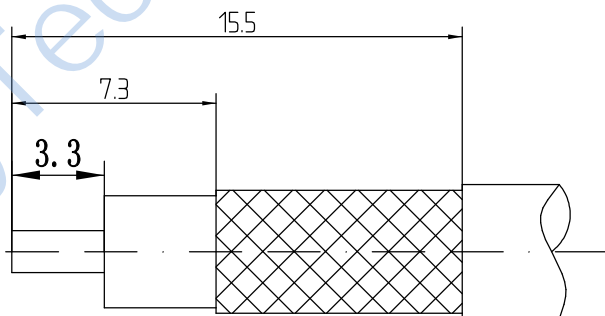
REV	DESCRIPTION OF REVISION	ECN NO.	BY	DATE	APPROVED
A	Initial Release	—	H.wei	18/03/13	18/03/13



- 1 Electrical
- 1.1 Impedance: 50 Ω
 - 1.2 Frequency: DC-4GHz
 - 1.3 Dielectric withstanding voltage: 1000V(volts RMS)
 - 1.4 Center contact resistance: ≤ 3MΩ
 - 1.5 Outer contact resistance: ≤ 2MΩ
 - 1.6 Insulation resistance: ≥ 5000MΩ

- 2 Environmental&Mechanical
- 2.1 Temperature range: -45℃~85℃
 - 2.2 RoHS Compliant
 - 2.3 Durability: >500 cycles

- 3 Materials&plating
- 3.1 Body: Brass, Nickel plated
 - 3.2 Insulator: Teflon
 - 3.3 Contact Pin: Phosphor Bronze, Gold plated
 - 3.4 Coupling Nut: Brass, nickel plated
 - 3.5 Washer: bronze, nickel plated
 - 3.5 O-ring: Silicon rubber(red color)



Tel: Lee13890694956
 Web: www.henglitaitech.com/cn

Notes:

- 1. ALL SPECIFICATIONS ARE SUBJECT TO CHANGE NOTICE AT ANY TIME
- 2. CUSTOMER OUTLINE DRAWING FOR REFERENCE ONLY

DRAWN: H.wei 18/03/13 ENGINEER: L.yu 18/03/13 APPROVED: W.yi 18/03/13 TOLERANCES UNLESS OTHERWISE SPECIFIED X ±0.50 .X ±0.20 .XX ±0.10 ANGLES ±1°	TITLE: RF Coaxial Connector BNC Male Conn. for RG58 Cable Crimp	
PART NO: HL-BNC-J5Y	SIZE: A4 SCALE: N/A SHEET: 1/1 REV: A	



DIMENSION IN MILLIMETERS (mm)