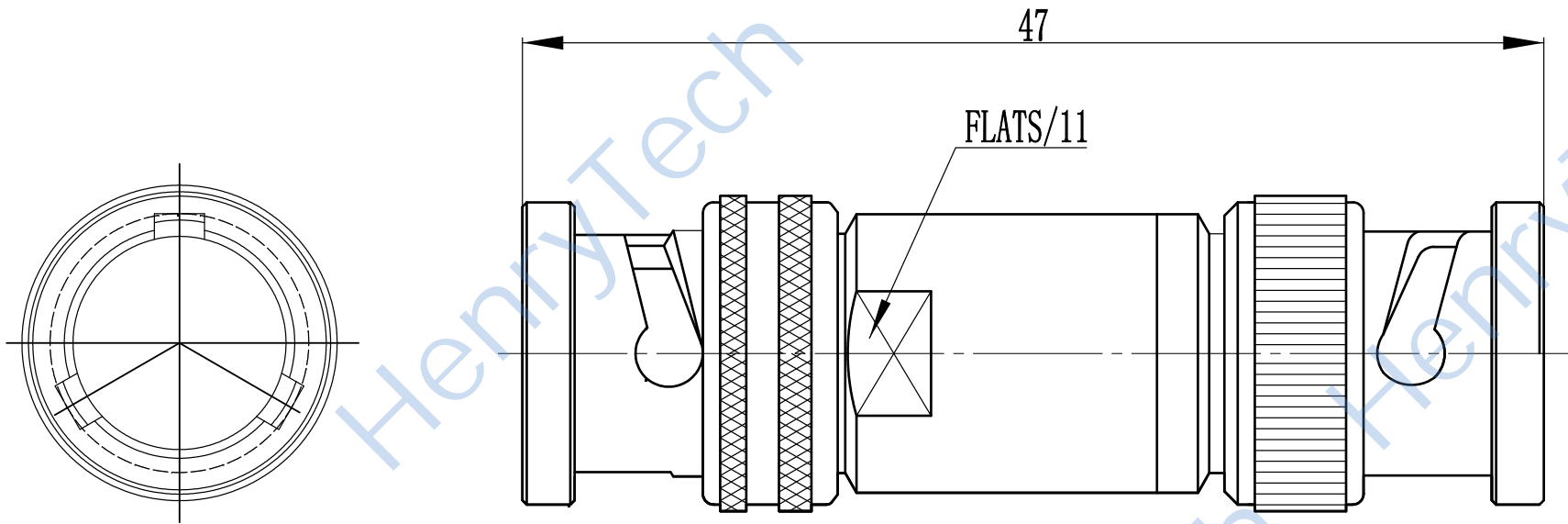


This document contains proprietary information and such information may not be disclosed to others for any purposes, not used for sales/marketing/procurement purposes without written permission

REV	DESCRIPTION OF REVISION	ECN NO.	BY	DATE	APPROVED
A	Initial Release	—	H.wei	26/07/17	26/07/17



3 Materials&plating

- 3.1 Body: Brass; Suco-plated
- 3.2 Insulator: Teflon
- 3.3 Contact Pin: Bronze Gold plated
- 3.4 Outer contact: Brass Gold plated

Tel:Lee13890694956

Web:www.henglitaitech.com/cn

Notes:

- 1.ALL SPECIFICATIONS ARE SUBJECT TO CHANGE NOTICE AT ANY TIME
- 2.CUSTOMER OUTLINE DRAWING FOR REFERENCE ONLY

<table border="1"> <tr> <td>DRAWN</td> <td>: H.wei 26/07/17</td> </tr> <tr> <td>ENGINEER</td> <td>: L.yu 26/07/17</td> </tr> <tr> <td>APPROVED</td> <td>: W.yi 26/07/17</td> </tr> </table>	DRAWN	: H.wei 26/07/17	ENGINEER	: L.yu 26/07/17	APPROVED	: W.yi 26/07/17	TITLE: BNC Adaptor TRB Male to BNC Male Adaptor	
DRAWN	: H.wei 26/07/17							
ENGINEER	: L.yu 26/07/17							
APPROVED	: W.yi 26/07/17							
TOLERANCES UNLESS OTHERWISE SPECIFIED .X ±0.50 .X ±0.20 .XX ±0.10 ANGLES ±1°	DIMENSION IN MILLIMETERS (mm) 							
PART NO: HL-TRB-BNC-JJ		SIZE: A4 SCALE: N/A SHEET: 1/1 REV: A						