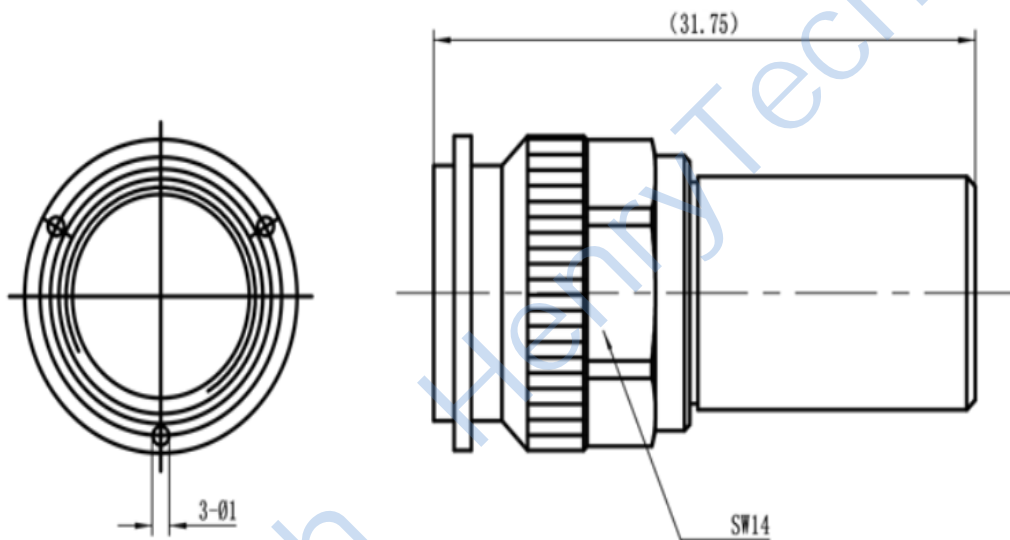


This document contains proprietary information and such information may not be disclosed to others for any purposes, not used for sales/marketing/procurement purposes without written permission

REV	DESCRIPTION OF REVISION	ECN NO.	BY	DATE	APPROVED
A	Initial Release	—	H.wei	23/5/14	23/5/14



1 Electrical	
1.1 Impedance	50 Ω
1.2 Frequency	DC~6GHz
1.3 Dielectric withstanding voltage	1500V(volts RMS)
1.4 Center contact resistance	≤ 1.5MΩ
1.5 Outer contact resistance	≤ 0.2MΩ
1.6 Insulation resistance:	≥5000MΩ
1.7 VSWR	1.30:1
1.8 Power	≤ 2W

Environmental&Mechanical	
2.1 Temperature range	-40℃~+85℃
2.2 RoHS Compliant	
2.3 Durability	>500 cycles

3 Materials&plating	
3.1 Body:	Brass, Nickel plated
3.2 Insulator:	Teflon
3.3 Contact Pin:	Bronze, gold plated

Tel:Lee13890694956  
Web:www.hltchips.com

Notes:  
1. ALL SPECIFICATIONS ARE SUBJECT TO CHANGE NOTICE AT ANY TIME  
2. CUSTOMER OUTLINE DRAWING FOR REFERENCE ONLY

DRAWN : H.wei 25/5/14
ENGINEER: L.yu 25/5/14
APPROVED : W.yi 25/5/14
TOLERANCES UNLESS OTHERWISE SPECIFIED X ±0.50 .X ±0.20 .XX ±0.10 ANGLES ±1°

TITLE: <b>RF TERMINATION TNC Male Conn. Termination</b>
PART NO: <b>HL-TNC-50JR-2W-6</b>

DIMENSION IN MILLIMETERS (mm)			
SIZE: A4	SCALE: N/A	SHEET: 1/1	REV: A