

This document contains proprietary information and such information may not be disclosed to others for any purposes, not used for sales/marketing/procurement purposes without written permission

| REV | DESCRIPTION OF REVISION | ECN NO. | BY | DATE | APPROVED |
|-----|-------------------------|---------|-------|----------|----------|
| A | Initial Release | — | H.wei | 19/03/17 | 19/03/17 |

1 Electrical

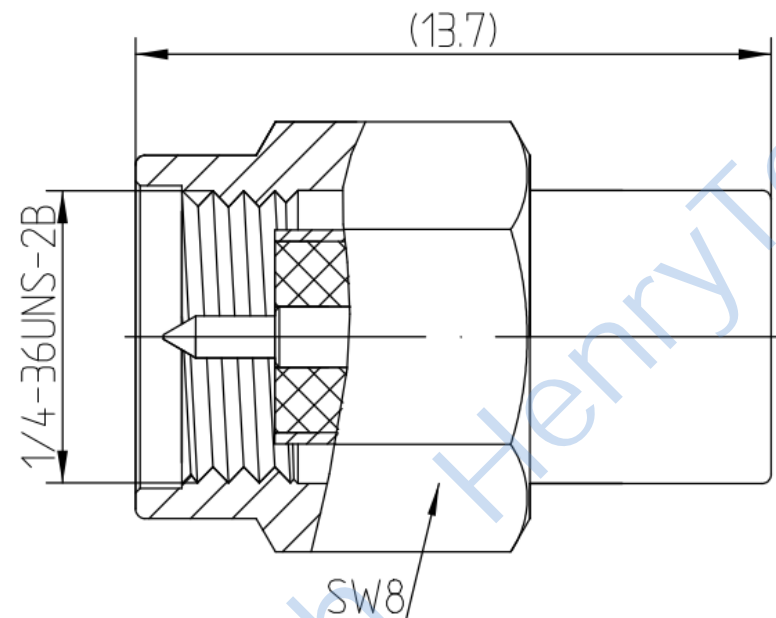
- 1.1 Impedence 50 Ω
- 1.2 Frequency DC ~6GHz
- 1.3 Dielectric withstanding voltage 1000V(volts RMS)
- 1.4 Center contact resistance $\leq 3M\Omega$
- 1.5 Outer contact resistance $\leq 2M\Omega$
- 1.6 Insulation resistance: $\geq 5000M\Omega$
- 1.7 VSWR 1.15:1

2 Environmental&Mechanical

- 2.1 Temperature range -40℃ ~+70℃
- 2.2 RoHs Compliant
- 2.3 Durability >500 cycles

3 Materials&plating

- 3.1 Body: Brass; gold plated
- 3.2 Insulator: Teflon
- 3.3 Contact Pin: Bronze, gold plated
- 3.4 Nut: Stainless Steel Passivated



Tel:Lee13890694956

Web:www.hltchips.com

Notes:

- 1. ALL SPECIFICATIONS ARE SUBJECT TO CHANGE NOTICE AT ANY TIME
- 2. CUSTOMER OUTLINE DRAWING FOR REFERENCE ONLY

| | | | |
|--|---|--|-------------------------------|
| DRAWN: H.wei 19/03/17 ENGINEER: L.yu 19/03/17 APPROVED: W.yi 19/03/17 TOLERANCES UNLESS OTHERWISE SPECIFIED X ±0.50 .X ±0.20 .XX ±0.10 ANGLES ±1° | TITLE: RF Termination SMA male Conn.Termination | | DIMENSION IN MILLIMETERS (mm) |
| PART NO: HL-SMA-50JRG | SIZE: A4 SCALE: N/A SHEET: 1/1 REV: A | | |