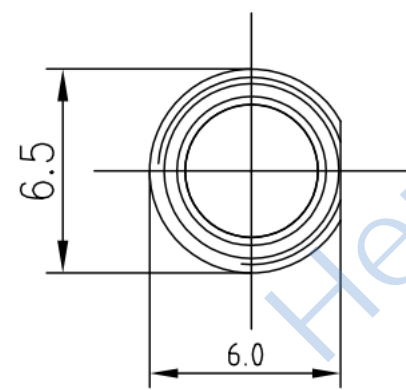
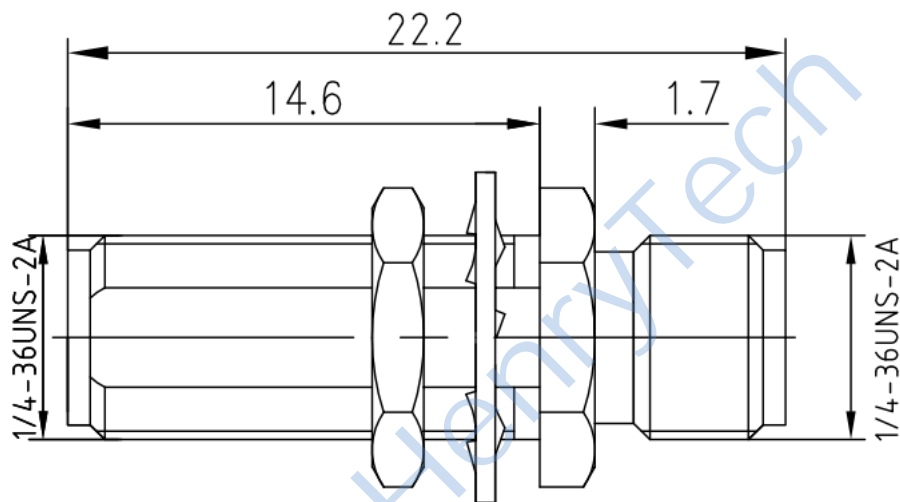


This document contains proprietary information and such information may not be disclosed to others for any purposes, not used for sales/marketing/procurement purposes without written permission

REV	DESCRIPTION OF REVISION	TRL NO.	BY	DATE	APPROVED
A	Initial Release	—	H.wei	24/12/15	24/12/15



Technical Data:

- 1 Electrical characteristics
 - 1.1 Impedance: 50Ω
 - 1.2 Frequency: DC-18GHz
 - 1.3 Working voltage: ≤335V
 - 1.4 Insulation resistance: ≥5000MΩ
 - 1.5 Dielectric strength: 1000V
 - 1.6 Center Contact resistance ≤ 3MΩ
 - 1.7 Outer contact resistance ≤ 2.5MΩ

- 2 Material&Finish
 - 2.1 Inner Contact: gold plated over Beryllium-copper.
 - 2.2 Outer Contact: gold plated over brass.
 - 2.3 Insulators: Teflon
 - 2.4 Washer: Brass, Gold plated
 - 2.5 Nut Hex: Brass, Gold plated

Notes:
 1. ALL SPECIFICATIONS ARE SUBJECT TO CHANGE NOTICE AT ANY TIME
 2. CUSTOMER OUTLINE DRAWING FOR REFERENCE ONLY

DRAWN: H.wei 24/12/15 ENGINEER: L.yu 24/12/15 APPROVED: W.yi 24/12/15 TOLERANCES UNLESS OTHERWISE SPECIFIED X ±0.50 .X ±0.20 .XX ±0.10 ANGLES ±1°	TITLE: RF Adapter SMA Female to Female Bulkhead Connector	
PART NO: HL-SMA-KYK	SIZE: A4 SCALE: N/A SHEET: 1/1 REV: A	

DIMENSION IN MILLIMETERS (mm)