

1

2

3

4

This document contains proprietary information and such information may not be disclosed to others for any purposes,
not used for sales/marketing/procurement purposes without written permission

REV	DESCRIPTION OF REVISION	ECN NO.	BY	DATE	APPROVED
A	Initial Release	—	H.wei	12/7/06	12/7/06

1 Electrical

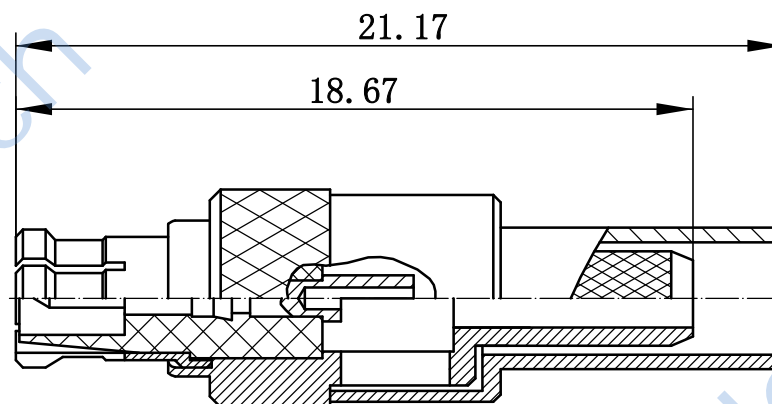
1.1 Impedence	50 Ω
1.2 Frequency	DC-3GHz
1.3 Dielectric withstanding voltage	750V (volts RMS)
1.4 Center contact resistance	$\leq 5M \Omega$
1.5 Outer contact resistance	$\leq 2.5M \Omega$
1.6 Insulation resistance:	$\geq 1000M \Omega$

2 Environmental&Mechanical

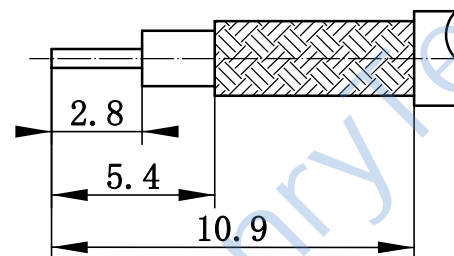
2.1 Temperature range	-45°C ~ 125°C
2.2 RoHs Compliant	
2.3 Durability	>500 cycles

3 Materials&Finish

3.1 Body:	Brass, Gold plated
3.2 Insulator:	Teflon
3.3 Contact Pin:	Brass, gold plated
3.4 Contact spring:	Beryllium copper, gold plated


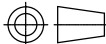


Cable Stripping Dimension



Notes:

- ALL SPECIFICATIONS ARE SUBJECT TO CHANGE NOTICE AT ANY TIME
- CUSTOMER OUTLINE DRAWING FOR REFERENCE ONLY

DRAWN: H.wei 12/07/06	TITLE:				
ENGINEER: L.yu 12/07/06	RF Coaxial Connector				
APPROVED: W.yi 12/07/06	M CX male Str. Conn.	 DIMENSION IN MILLIMETERS (mm)			
TOLERANCES UNLESS OTHERWISE SPECIFIED					
X	± 0.50	PART NO:	HL-MCX-J3CA	SIZE:	A4
.X	± 0.20			SCALE:	N/A
.XX	± 0.10			SHEET:	1/1
ANGLES	$\pm 1^\circ$			REV:	A

1

2

3

4