

This document contains proprietary information and such information may not be disclosed to others for any purposes,
not used for sales/marketing/procurement purposes without written permission

REV	DESCRIPTION OF REVISION	ECN NO.	BY	DATE	APPROVED
A	Initial Release	—	H.wei	12/7/13	12/7/13

1 Electrical

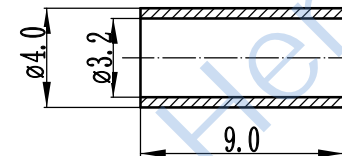
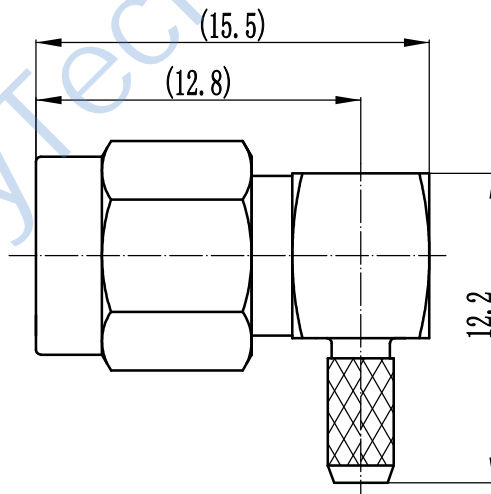
- 1.1 Impedence 50 Ω
- 1.2 Dielectric withstanding voltage 1000V(volts RMS)
- 1.3 Center contact resistance $\leq 3M\Omega$
- 1.4 Outer contact resistance $\leq 2M\Omega$
- 1.5 Insulation resistance: $\geq 5000M\Omega$
- 1.6 Frequency 0-6Ghz

2 Environmental&Mechanical

- 2.1 Temperature range -45 $^{\circ}$ ~125 $^{\circ}$
- 2.2 RoHS Compliant
- 2.3 Durability >500 cycles


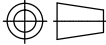
3 Materials&plating

- 3.1 Body: Brass, Gold Plated
- 3.2 Insulator: Teflon
- 3.3 Contact Pin: Brass, Gold Plated
- 3.4 Washer: Phosphor, Gold Plated
- 3.5 Hex Nut: Brass, Gold Plated



Notes:

- 1. ALL SPECIFICATIONS ARE SUBJECT TO CHANGE NOTICE AT ANY TIME
- 2. CUSTOMER OUTLINE DRAWING FOR REFERENCE ONLY

DRAWN: H.wei 12/07/13	TITLE:				
ENGINEER: L.yu 12/07/13	RF Coaxial Connector				
APPROVED: W.yi 12/07/13	SMA Male R/A Conn. For RG316	 DIMENSION IN MILLIMETERS (mm)			
TOLERANCES UNLESS OTHERWISE SPECIFIED X ± 0.50 .X ± 0.20 .XX ± 0.10 ANGLES $\pm 1^{\circ}$	PART NO: HL-SMA-JW3-N	SIZE: A4	SCALE: N/A	SHEET: 1/1	REV: A