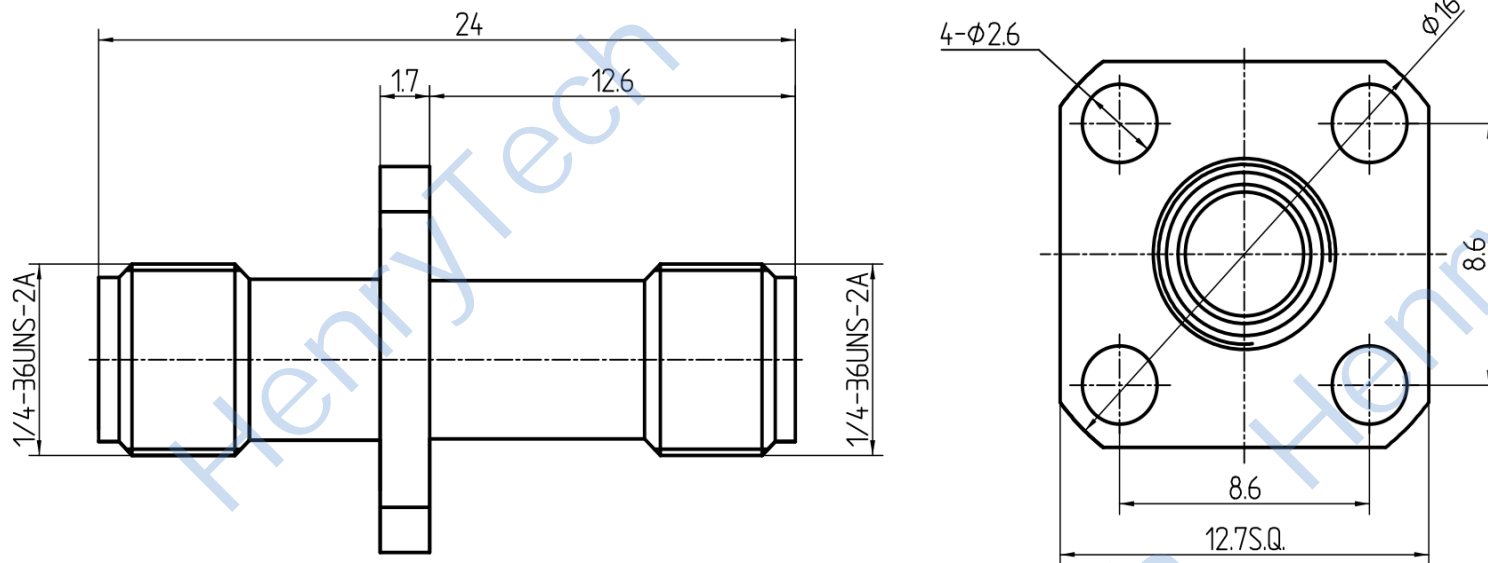


This document contains proprietary information and such information may not be disclosed to others for any purposes, not used for sales/marketing/procurement purposes without written permission

REV	DESCRIPTION OF REVISION	ECN NO.	BY	DATE	APPROVED
A	Initial Release	—	H.wei	26/8/16	26/8/16



1 Electrical data

- 1.1 Impedance: 50 Ω
- 1.2 Frequency: DC-18GHz
- 1.3 VSWR 1.30:1

2 Mechanical data



- 2.1 Temperature range -45°C ~+125°C
- 2.2 Durability(matings) >500

3 Material&Finish

- 3.1 Pin contact: Beryllium-copper, Gold plated
- 3.2 Body: Brass, gold-plated
- 3.3 Insulators: PTFE

Notes:

- 1. ALL SPECIFICATIONS ARE SUBJECT TO CHANGE NOTICE AT ANY TIME
- 2. CUSTOMER OUTLINE DRAWING FOR REFERENCE ONLY

DRAWN : H.wei 26/8/16 ENGINEER: L.yu 26/8/16 APPROVED : W.yi 26/8/16 TOLERANCES UNLESS OTHERWISE SPECIFIED X ±0.50 .X ±0.20 .XX ±0.10 ANGLES ±1°	TITLE: RF Adaptor SMA Female to Female Flange Adaptor	 DIMENSION IN MILLIMETERS (mm) 		
PART NO: HL-SMA-KFKB	SIZE: A4	SCALE: N/A	SHEET: 1/1	REV: A