

1

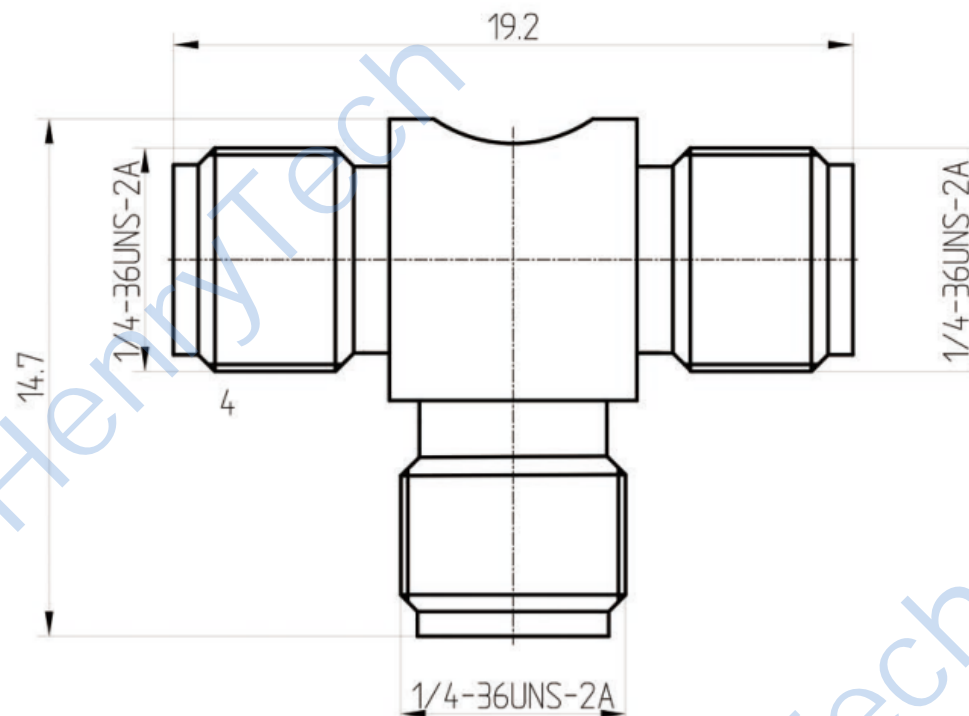
2

3

4

This document contains proprietary information and such information may not be disclosed to others for any purposes, not used for sales/marketing/procurement purposes without written permission

REV	DESCRIPTION OF REVISION	ECN NO.	BY	DATE	APPROVED
A	Initial Release	—	H.wei	12/7/06	12/7/06



### 1. Materials & plating


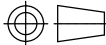
1.1 Body: Brass, Gold plated

1.2 Insulator: Teflon

1.3 Contact Pin: Phosphor Bronze, Gold plated

### Notes:

- ALL SPECIFICATIONS ARE SUBJECT TO CHANGE NOTICE AT ANY TIME
- CUSTOMER OUTLINE DRAWING FOR REFERENCE ONLY

DRAWN: H.wei 12/07/06	TITLE:				
ENGINEER: L.yu 12/07/06	RF Adaptor				
APPROVED: W.yi 12/07/06	SMA Female to Female	 DIMENSION IN MILLIMETERS (mm)			
TOLERANCES UNLESS OTHERWISE SPECIFIED	to Female				
X ±0.50	PART NO: HL-SMA-KKK	SIZE: A4	SCALE: N/A	SHEET: 1/1	REV: A
.X ±0.20					
.XX ±0.10					
ANGLES ±1°					

1

2

3

4