

1

2

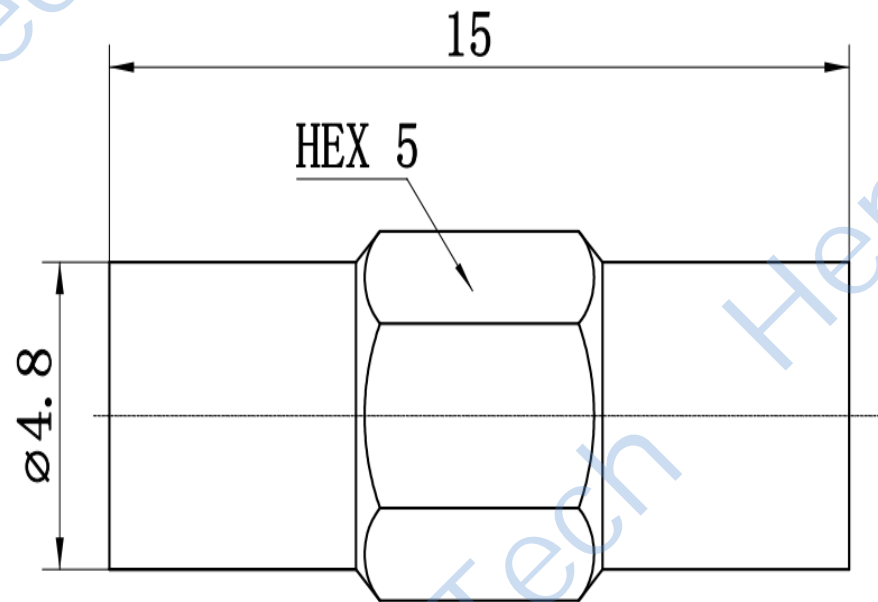
3

4

This document contains proprietary information and such information may not be disclosed to others for any purposes, not used for sales/marketing/procurement purposes without written permission

REV	DESCRIPTION OF REVISION	ECN NO.	BY	DATE	APPROVED
A	Initial Release	—	H.wei	12/7/06	12/7/06

- 1 Electrical
 - 1.1 Impedence: 50 Ω
 - 1.2 Frequency range: DC-18GHz
 - 1.3 VSWR: 1.30: 1
- 2 Materials&plating
 - 2.1 Body: Stainless Steel, Passivated
 - 3.2 Insulator: Teflon
 - 3.3 Contact Pin: Brass, Gold plated



Notes:

- 1. ALL SPECIFICATIONS ARE SUBJECT TO CHANGE NOTICE AT ANY TIME
- 2. CUSTOMER OUTLINE DRAWING FOR REFERENCE ONLY

DRAWN: H.wei 12/07/06 ENGINEER: L.yu 12/07/06 APPROVED: W.yi 12/07/06 TOLERANCES UNLESS OTHERWISE SPECIFIED .X ±0.50 .X ±0.20 .XX ±0.10 ANGLES ±1°	TITLE: RF Adapter SMP Male to Male Adapter	
PART NO: HL-SMP-JJG	SIZE: A4 SCALE: N/A SHEET: 1/1 REV: A	DIMENSION IN MILLIMETERS (mm)

1

2

3

4