

This document contains proprietary information and such information may not be disclosed to others for any purposes,
not used for sales/marketing/procurement purposes without written permission

REV	DESCRIPTION OF REVISION	ECN NO.	BY	DATE	APPROVED
A	Initial Release	—	H.wei	19/03/17	19/03/17

1 Electrical

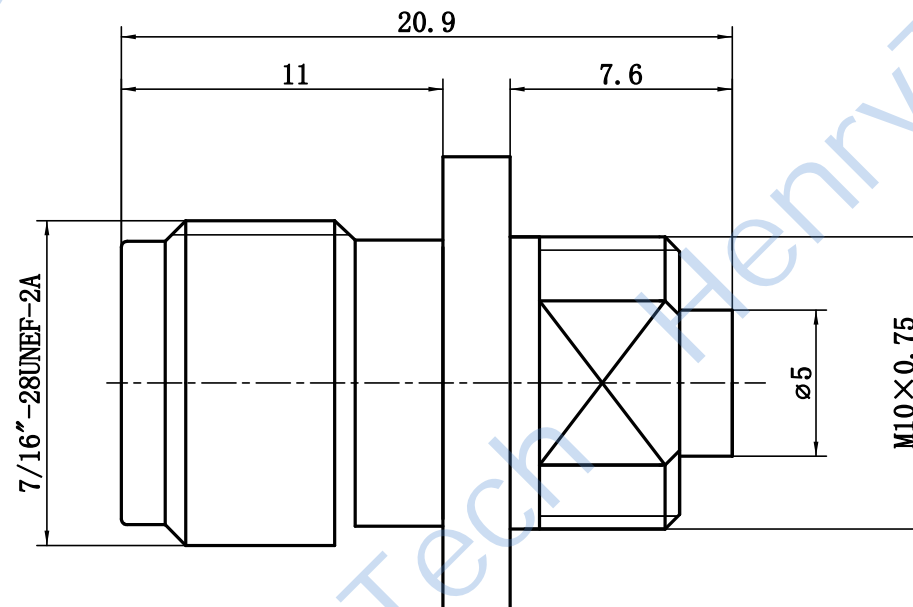
- 1.1 Impedance: 50 Ω
- 1.2 Frequency: DC-6GHz
- 1.3 VSWR: 1.30:1

2 Mechanical&Environmental

- 2.1 Temperature range -45° C ~+125° C
- 2.2 Durability(matings) >500
- 2.3 RoHs Compliant Yes



3 Material&Finish

- 3.1 Pin contact: Bronze, gold plated
- 3.2 Body: Brass, Suco-plated
- 3.3 Insulators: Teflon



Notes:

- 1. ALL SPECIFICATIONS ARE SUBJECT TO CHANGE NOTICE AT ANY TIME
- 2. CUSTOMER OUTLINE DRAWING FOR REFERENCE ONLY

DRAWN: H.wei 19/03/17	TITLE:				
ENGINEER: L.yu 19/03/17	Precision Adapter TNC Female to MCX Female B/H Adaptor				
APPROVED: W.yi 19/03/17		 DIMENSION IN MILLIMETERS (mm)			
TOLERANCES UNLESS OTHERWISE SPECIFIED X ±0.50 X ±0.20 XX ±0.10 ANGLES ±1°	PART NO: HL-TNC/MCX-KYK				SIZE: A4