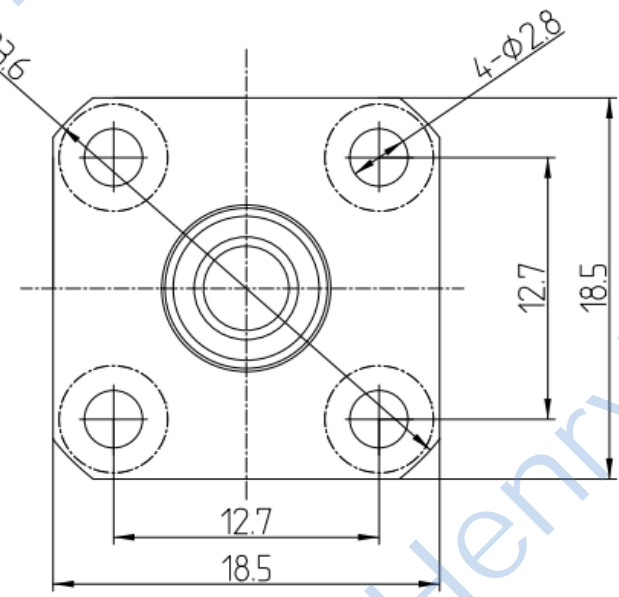
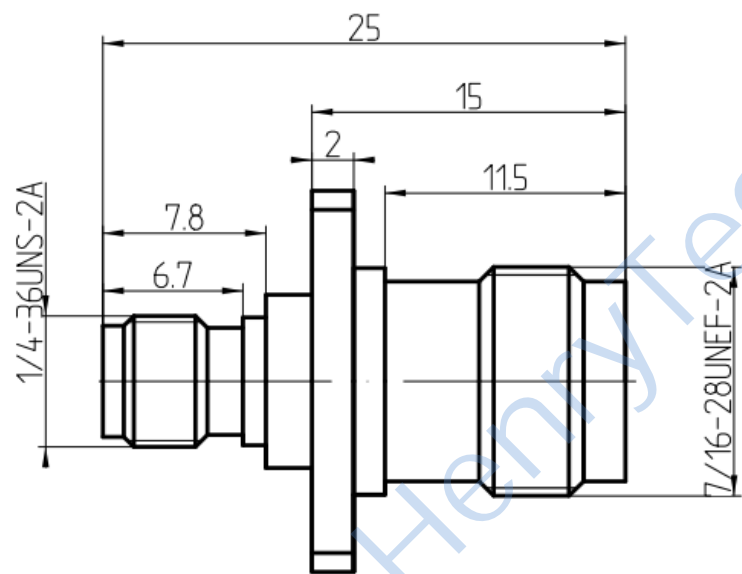
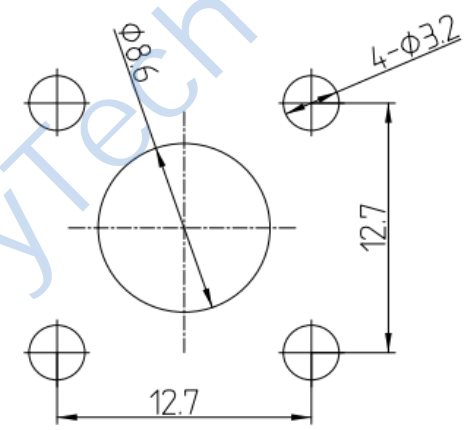


This document contains proprietary information and such information may not be disclosed to others for any purposes, not used for sales/marketing/procurement purposes without written permission

REV	DESCRIPTION OF REVISION	ECN NO.	BY	DATE	APPROVED
A	Initial Release	—	H.wei	19/03/17	19/03/17



Recommended Mounting Hole



- 1 Electrical**
- 1.1 Impedance: 50 Ω
  - 1.2 Frequency: DC-6GHz
  - 1.3 Dielectric withstanding voltage: 100V(volts RMS)
  - 1.4 Center contact resistance: ≤ 3MΩ
  - 1.5 Outer contact resistance: ≤ 2MΩ
  - 1.6 Insulation resistance: ≥ 5000MΩ

- 2 Environmental&Mechanical**
- 2.1 Temperature range: -45℃~85℃
  - 2.2 RoHs Compliant
  - 2.3 Durability: >500 cycles


- 3 Materials&plating**
- 3.1 Body: Brass, Nickel plated
  - 3.2 Insulator: Teflon
  - 3.3 Contact Pin: Phosphor Bronze, Gold plated

**Notes:**

1. ALL SPECIFICATIONS ARE SUBJECT TO CHANGE NOTICE AT ANY TIME
2. CUSTOMER OUTLINE DRAWING FOR REFERENCE ONLY

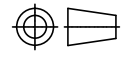
<b>DRAWN:</b> H.wei 19/03/17
<b>ENGINEER:</b> L.yu 19/03/17
<b>APPROVED:</b> W.yi 19/03/17
<b>TOLERANCES UNLESS OTHERWISE SPECIFIED</b>
X ±0.50
.X ±0.20
.XX ±0.10
ANGLES ±1°

<b>TITLE:</b>
RF Adaptor TNC Female to SMA Female Flange Adaptor
<b>PART NO:</b> HL-TNC/SMA-KFK



---

DIMENSION IN MILLIMETERS (mm)



<b>SIZE:</b> A4	<b>SCALE:</b> N/A	<b>SHEET:</b> 1/1	<b>REV:</b> A
--------------------	----------------------	----------------------	------------------