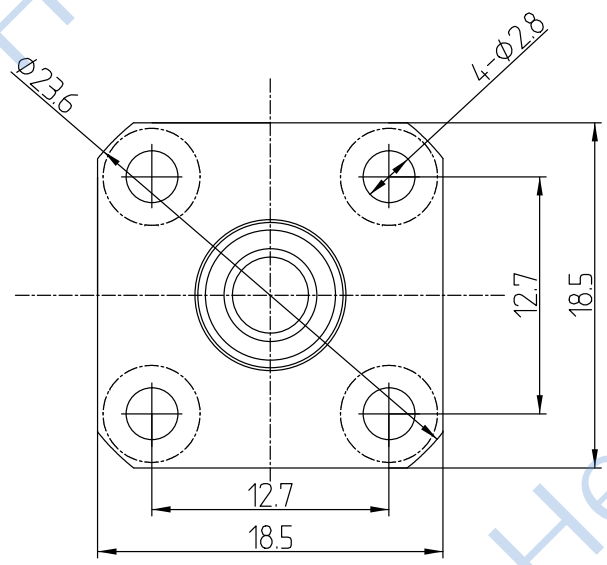
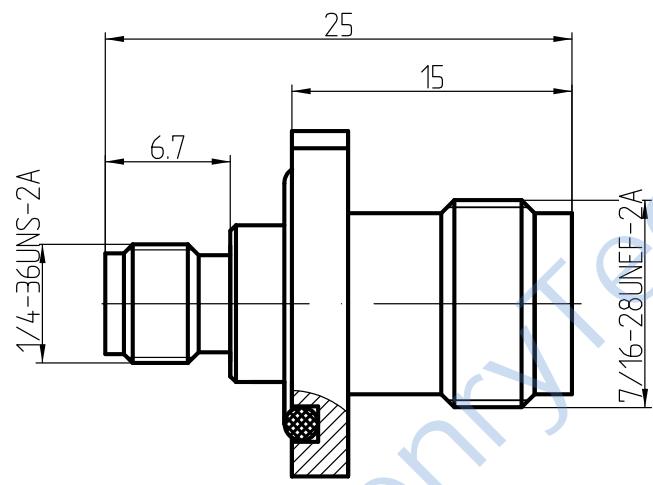


This document contains proprietary information and such information may not be disclosed to others for any purposes, not used for sales/marketing/procurement purposes without written permission

1	2	3	4		
REV	DESCRIPTION OF REVISION	ECN NO.	BY	DATE	APPROVED
A	Initial Release	—	H.wei	19/03/17	19/03/17

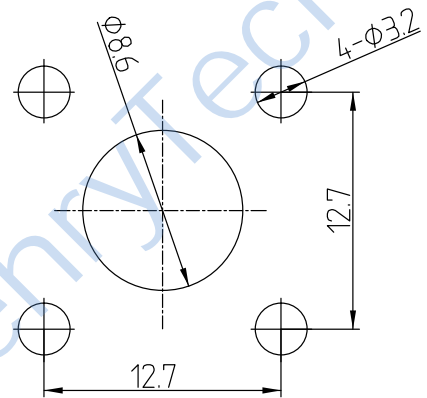


- 1 Electrical
- 1.1 Impedance 50 Ω
 - 1.2 Frequency DC-4GHz
 - 1.3 Dielectric withstanding voltage 100V(volts RMS)
 - 1.4 Center contact resistance ≤ 3M Ω
 - 1.5 Outer contact resistance ≤ 2M Ω
 - 1.6 Insulation resistance: ≥ 5000M Ω

- 2 Environmental&Mechanical
- 2.1 Temperature range -45℃~85℃
 - 2.2 RoHS Compliant
 - 2.3 Durability >500 cycles

- 3 Materials&plating
- 3.1 Body: Brass, Nickel plated
 - 3.2 Insulator: Teflon
 - 3.3 Contact Pin: Phosphor Bronze, Gold plated

Recommended Mounting Hole



Notes:
 1. ALL SPECIFICATIONS ARE SUBJECT TO CHANGE NOTICE AT ANY TIME
 2. CUSTOMER OUTLINE DRAWING FOR REFERENCE ONLY

DRAWN: H.wei 19/03/17 ENGINEER: L.yu 19/03/17 APPROVED: W.yi 19/03/17 TOLERANCES UNLESS OTHERWISE SPECIFIED X ±0.50 .X ±0.20 .XX ±0.10 ANGLES ±1°	TITLE: RF Adaptor TNC Female to SMA Female Flange Adaptor PART NO: HL-TNC/SMA-KFKM	DIMENSION IN MILLIMETERS (mm) SIZE: A4 SCALE: N/A SHEET: 1/1 REV: A
--	--	---