

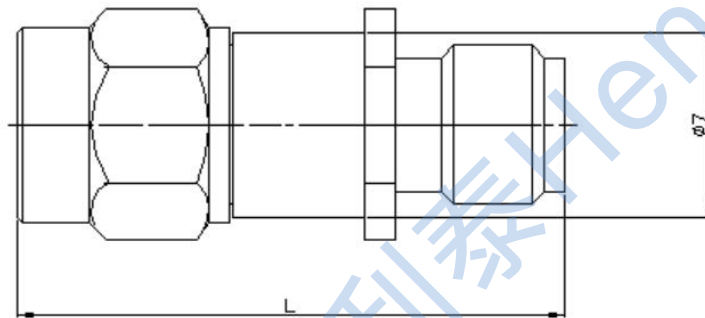
# Chengdu Henglitai Technology Co., Ltd.

## RF Fixed Attenuator SMA 2 Watts DC-26.5GHz

P/N	Frequency (GHz)	Attenuator Value (dB)						VSWR max
		1-10 dB	12dB	15 dB	20 dB	30 dB	40 dB	
HL-SMAMF-2-26.5-XX	DC-26.5GHz	-0.5/+1.3	-0.5/+1.3	-0.5/+1.3	-0.5/+1.3	-0.5/+1.3	-0.5/+1.5	1.40

其它性能	
Outerconductor:	Stainless steel , passivated
Body:	Stainless steel , passivated
Characteristic impedance :	50Ω
Temperature range:	-55°C~+125°C
Connector Type:	SMA-JK
Size:	1-12dB Ø7×L=21.8mm 15-40dB Ø7×L25mm
Weight:	1-12dB 4g 15-40dB 5g

### Outline Drawing:



Address : No. 198, Tianqin East Street, High-tech West District, Chengdu

Tel: +86-511-85589664  
Web : www.hltchips.com