

This document contains proprietary information and such information may not be disclosed to others for any purposes, not used for sales/marketing/procurement purposes without written permission

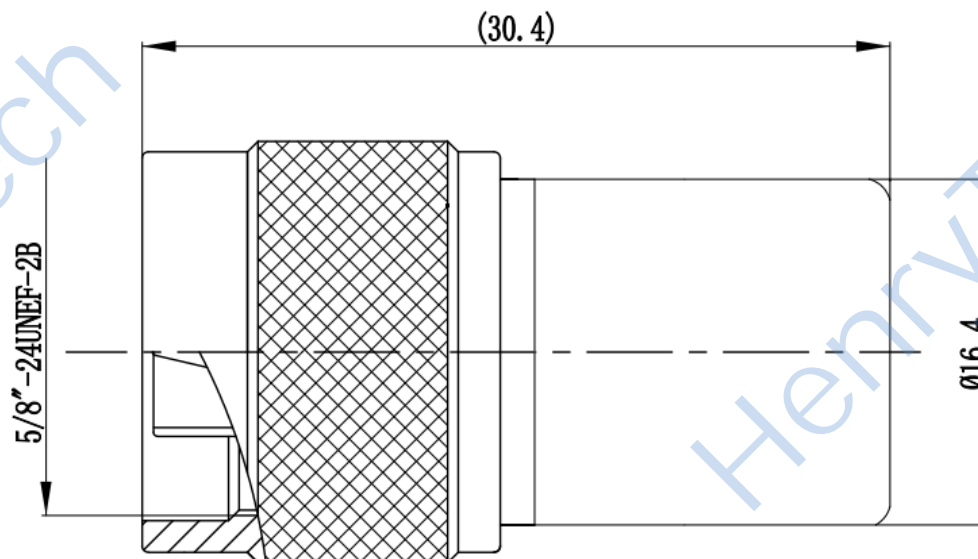
REV	DESCRIPTION OF REVISION	ECN NO.	BY	DATE	APPROVED
A	Initial Release	—	H.wei	19/03/17	19/03/17

## 1 Electrical

- 1.1 Impedance: 50 Ω
- 1.2 Frequency: DC ~6GHz
- 1.3 VSWR ≤ 1.25
- 1.4 Power ≤ 5W

## 2 Materials & Finish

- 2.1 Inner Contact: Brass, gold plated
- 2.2 Outer Contact: Brass, Nickel plated
- 2.3 Insulators: PTFE




Tel: Lee13890694956

Web: www.hltchips.com

### Notes:

- 1. ALL SPECIFICATIONS ARE SUBJECT TO CHANGE NOTICE AT ANY TIME
- 2. CUSTOMER OUTLINE DRAWING FOR REFERENCE ONLY

DRAWN: H.wei 19/03/17 ENGINEER: L.yu 19/03/17 APPROVED: W.yi 19/03/17 TOLERANCES UNLESS OTHERWISE SPECIFIED X ±0.50 .X ±0.20 .XX ±0.10 ANGLES ±1°	TITLE: <b>RF Termination</b> <b>N male Conn.Termination</b>	 DIMENSION IN MILLIMETERS (mm)
PART NO: HL-N-50JR-5W	SIZE: A4 SCALE: N/A SHEET: 1/1 REV: A	