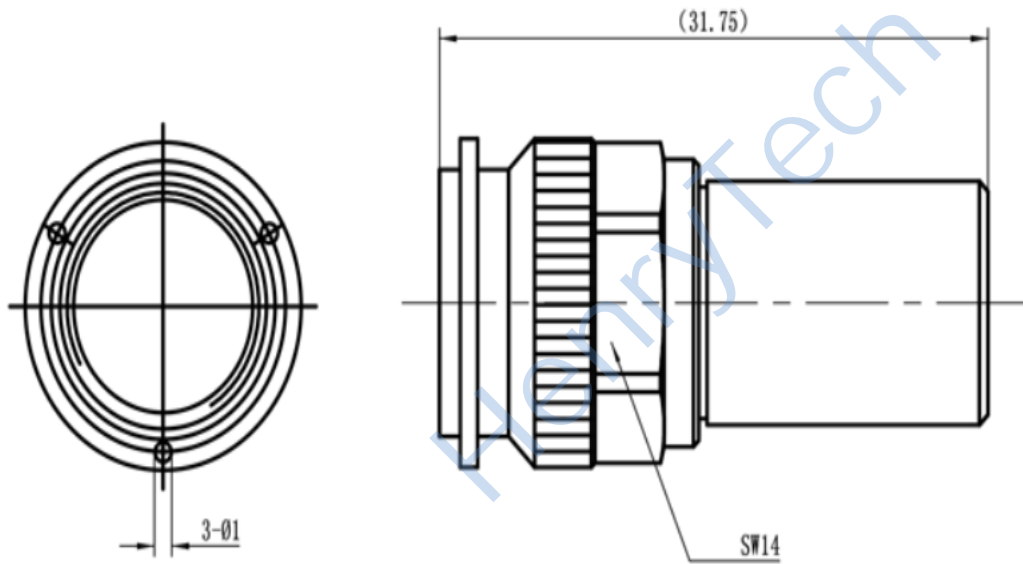


This document contains proprietary information and such information may not be disclosed to others for any purposes, not used for sales/marketing/procurement purposes without written permission

REV	DESCRIPTION OF REVISION	ECN NO.	BY	DATE	APPROVED
A	Initial Release	—	H.wei	19/03/17	19/03/17



1 Electrical	
11 Impedance	50 Ω
12 Frequency	DC ~6GHz
13 Dielectric withstanding voltage	1500V(volts RMS)
14 Center contact resistance	≤ 15MΩ
15 Outer contact resistance	≤ 0.2MΩ
16 Insulation resistance:	≥ 5000MΩ
17 VSWR	1.30:1
18 Power	≤ 2W

Environmental&Mechanical	
2.1 Temperature range	-40℃ ~+85℃
2.2 RoHs Compliant	
2.3 Durability	>500 cycles

3 Materials&plating	
3.1 Body:	Brass, Nickel plated
3.2 Insulator:	Teflon
3.3 Contact Pin:	Bronze, gold plated

Tel:Lee13890694956
Web:www.hltchips.com

Notes:
1. ALL SPECIFICATIONS ARE SUBJECT TO CHANGE NOTICE AT ANY TIME
2. CUSTOMER OUTLINE DRAWING FOR REFERENCE ONLY

DRAWN: H.wei 19/03/17 ENGINEER: L.yu 19/03/17 APPROVED: W.yi 19/03/17 TOLERANCES UNLESS OTHERWISE SPECIFIED X ±0.50 .X ±0.20 .XX ±0.10 ANGLES ±1°	TITLE: RF Termination TNC male Conn.Termination		DIMENSION IN MILLIMETERS (mm)
PART NO: HL-TNC-50JR-2W-6	SIZE: A4 SCALE: N/A SHEET: 1/1 REV: A		